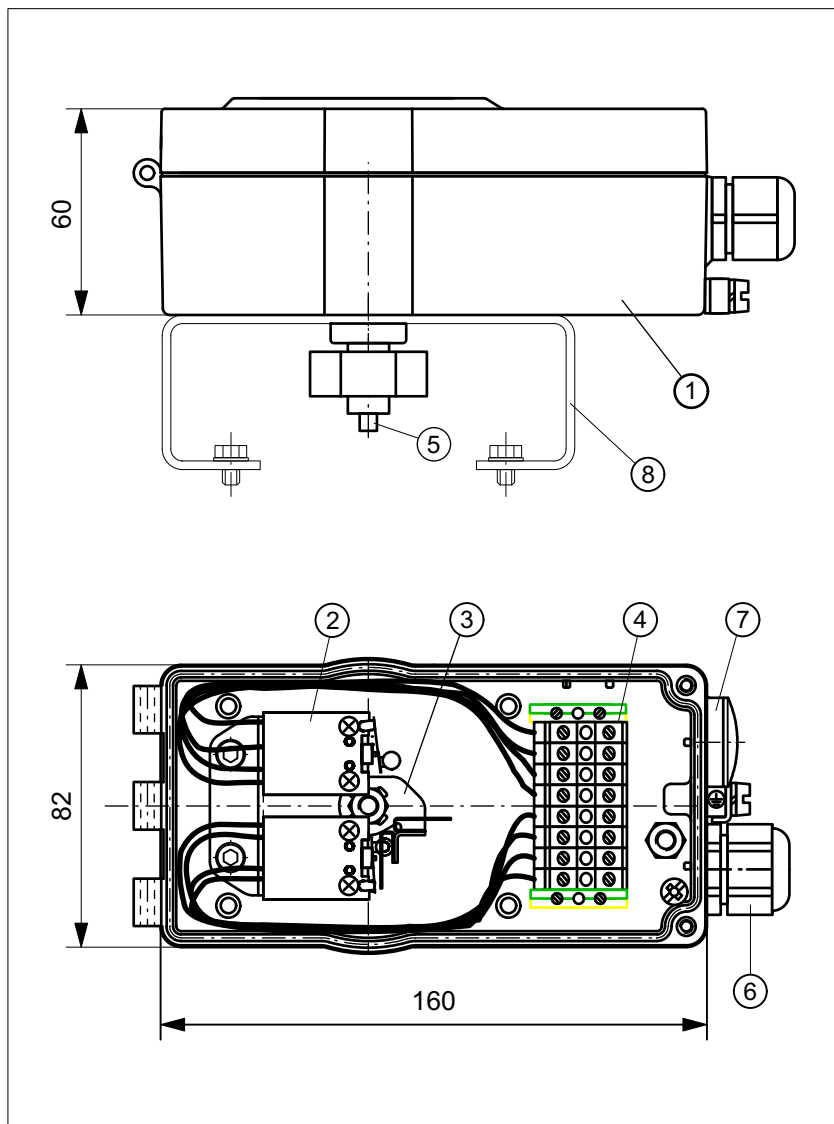




ALB-Module ACR1AREAZ10

ALB-Module with two micro switches Crouzet type 83.139.1
in Aluminium-Housing 160x82x60 mm



TECHNICAL DATA

Manufacturer: Crouzet
 Type: 83.139.1
 micro-switch
 Switch. power: max. 4 A, 250 V AC
 Contacts: Silver-nickel
 Economic life-time: 5×10^6 switch. cycles
 Temperature range: $-40 \dots +65^\circ\text{C}$
 Housing: Aluminium
 Base silver-grey
 Cover red
 Sealing: PUR
 Ingress protection: IP65 (Housing)
 Switch. precision: $<0.5^\circ$
 System connection: Cable gland M20x1,5
 Clamp. range 5,5...13 mm



II 2G Ex ed IIC T6 Gb
II 2D Ex tb d IIC T80°C Db IP65
PTB 10 ATEX 1061 X

OBJECT LIST

Pos.	Pcs.	Description	Material
1	1	Housing	Aluminium
2	2	Micro switch	-
3	1	Switch flag	Stainless steel
4	1	Terminal block, 10-pole	-
5	1	Axis	Stainless steel
6	1	Position indicator, yellow	PE
7	1	Cable gland M20x1,5	PA
8	1	Blind plug M20x1,5	PA
9	1	Bracket size 1 - 4	Stainless steel

WIRING DIAGRAM

