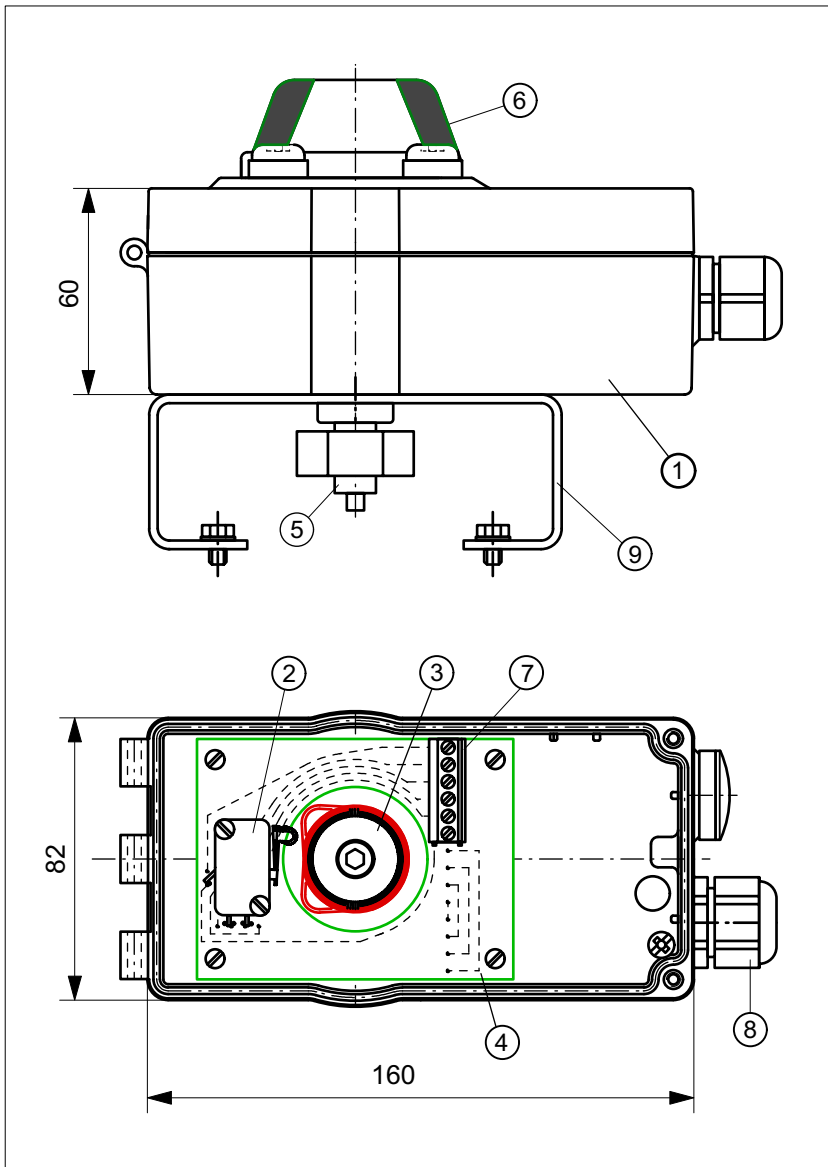




# ALB-Module ACR3ASEAZ10

ALB-Module with two micro-switches Crouzet 83.161.301 on circuit board in Aluminium housing 160x82x60 mm, with high vision beacon "Open / Closed"



## TECHNICAL DATA

Manufacturer:	Crouzet
Type:	83.161.301 micro-switch
Switching element function:	SPDT (2x)
Switching power:	4 A, 230 V AC
Contacts:	Silver-nickel
Mechanical life time:	2 x 10 <sup>7</sup> operating cycles
Temperature:	-25 ... +85°C
Housing:	Aluminium with vision beacon
Sealing:	PUR
Ingress protection:	IP65
Switching precision:	< 1,5°
System connection:	Cable gland M20x1,5 Clamp. range 7...13 mm

## OBJECT LIST

Pos.	Pcs.	Description	Material
1	1	Housing	Aluminium
2	2	Crouzet 83.161.301	-
3	1	Switch cam system	POM
4	1	Circuit board	-
5	1	Axis proximity switch	A2
6	1	Vision beacon "OPEN+CLOSED"	-
7	1	Terminal block, 6-pole	-
8	1	Cable gland M20x1,5	PA
9	1	Bracket size 1 - 4	A2

## WIRING DIAGRAM

