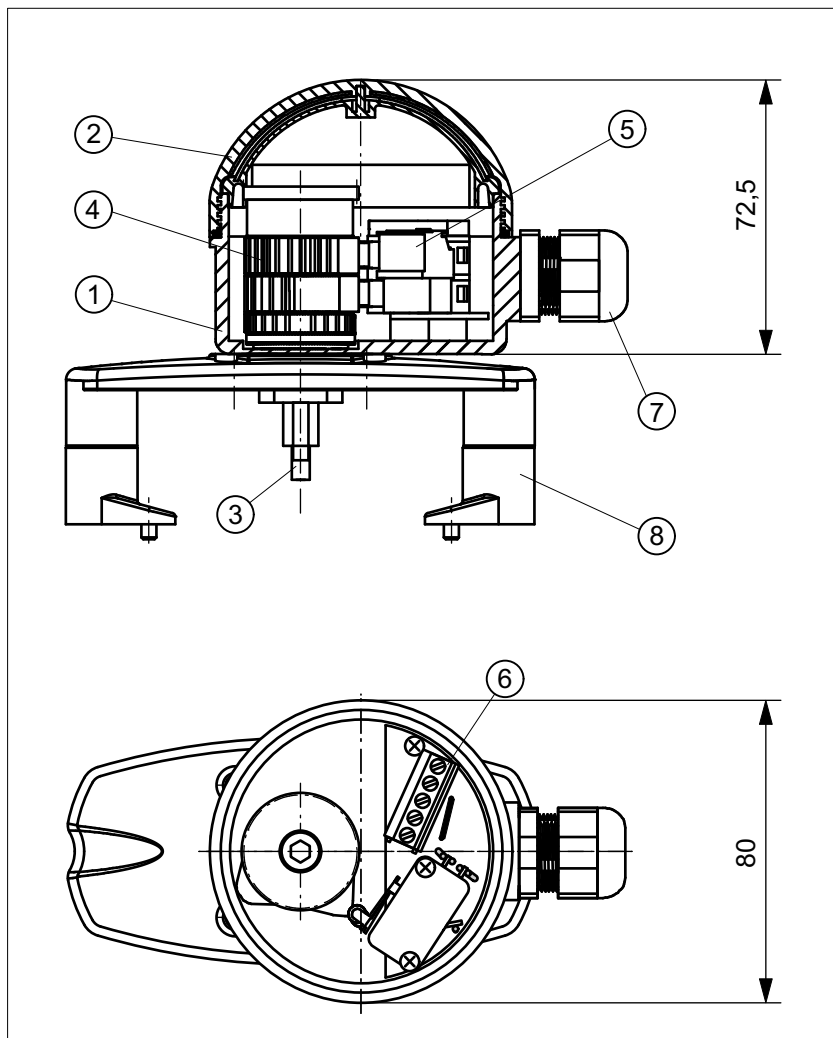




PCR3SVAZ

PB-Module with two micro switches Crouzet 83.161.301
in PB-Housing ø80, with high vision beacon



TECHNICAL DATA

Manufacturer: Crouzet
 Type: 83.161.301
 Micro switch SPDT
 Switching power: 4 A, 250 V AC
 Contacts: Silver-Nickel
 Economic life-time: 2×10^7 switch. cycles
 Temperature: -20...+85°C
 Housing: Vestamid, black
 Cover: Macrolon, clear
 with position indicator
 Sealing: EPDM
 Ingress protection: IP65
 Switching precision: <math><1.5^\circ</math>
 System connection: Cable gland M20x1,5
 Clamp. range 8...13 mm

OBJECT LIST

Pos.	Pcs.	Description	Material
1	1	Housing base	Vestamid
2	1	Housing cover	Macrolon
3	1	TCR-Axis	POM
4	1	Switch cam system	POM
5	2	Micro switch	-
6	1	Terminal block, 5-pole	-
7	1	Cable gland M20x1,5	PA
8	1	Bracket size 1 - 4	A2

WIRING DIAGRAM

