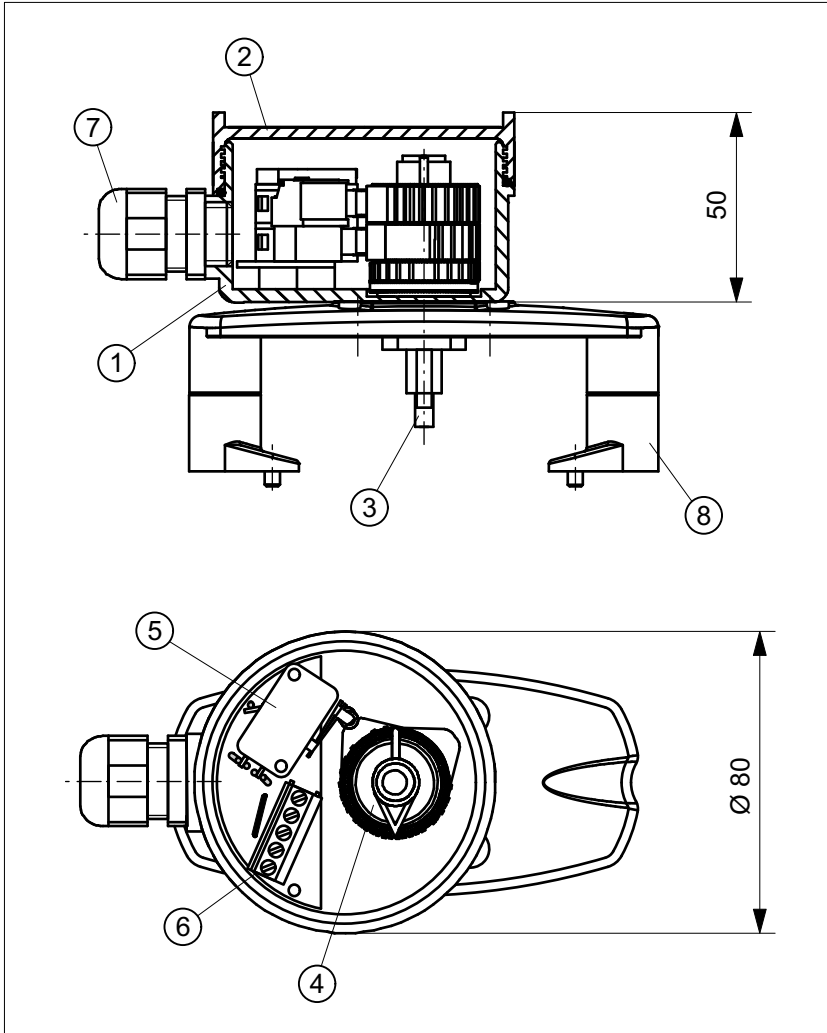




# PCR3MVAZ

PB-Module with two micro switches Crouzet 83.161.301  
in PB-Housing ø80 mm



## TECHNICAL DATA

Manufacturer: Crouzet  
 Type: 83.161.301  
 Micro switch  
 Switching power: 4 A, 250 V AC  
 Contacts: Silver-Nickel  
 Economic life-time:  $2 \times 10^7$  switch. cycles  
 Temperature: -20 ... +85°C  
 Housing: Vestamid, black  
 Cover: Macrolon, clear  
 Sealing: EPDM 60 Shore  
 Ingress protection: IP65  
 Switching precision: <math><1.5^\circ</math>  
 System connection: Cable gland M20x1,5  
 Clamp. range 8...13 mm

## OBJECT LIST

Pos.	Pcs.	Description	Material
1	1	Housing base	Vestamid
2	1	Housing cover	Macrolon
3	1	TCR-Axis	POM
4	1	Switch cam system	POM
5	2	Micro switch	-
6	1	Terminal block, 5-pole	-
7	1	Cable gland M20x1,5	PA
8	1	Bracket size 1 - 4	PA

## WIRING DIAGRAM

