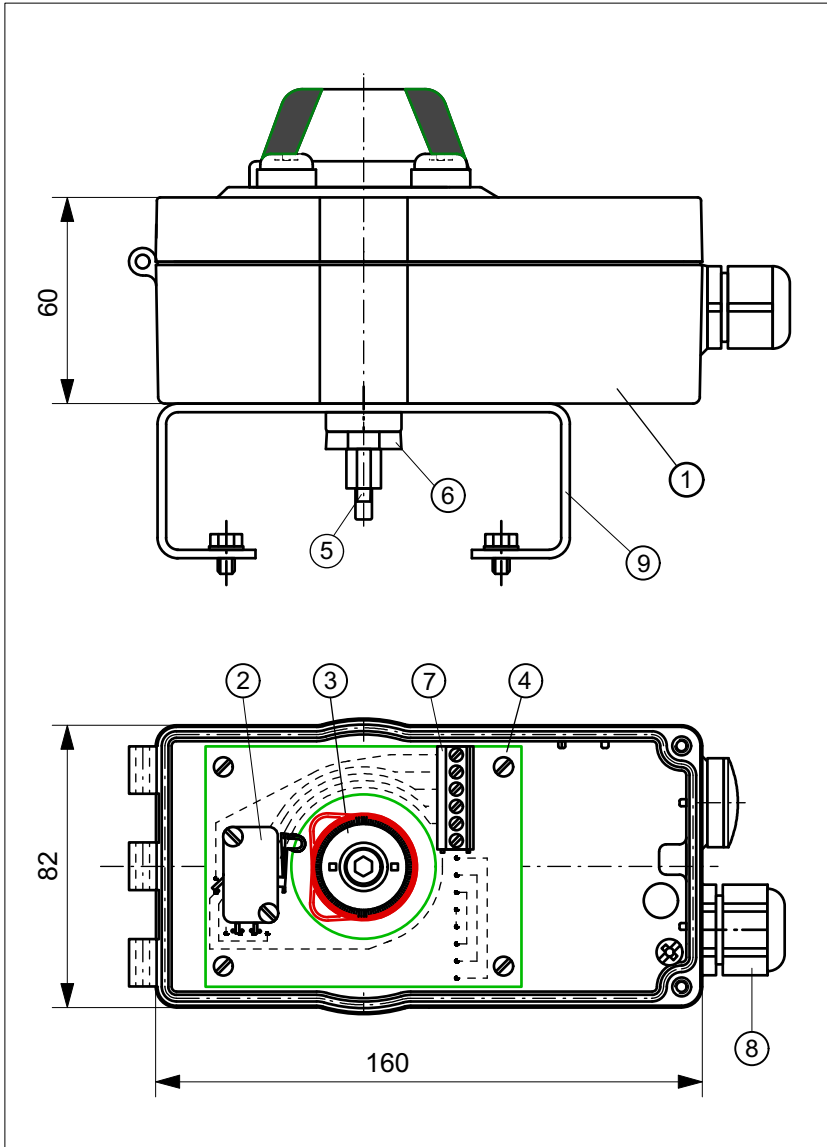




ALB-Module ACR3ASTAZ10

ALB-Module with two micro-switches Crouzet 83.161.301 on circuit board in Aluminium housing 160x82x60 mm, with high vision beacon "Open / Closed"



TECHNICAL DATA

Manufacturer: Crouzet
 Type: 83.161.301
 micro-switch
 Switching power: 4 A, 230 V AC
 Contacts: Silver-nickel
 Mechanical Life: 2 x 10⁷ operating cycles
 Temperature: -25 ... +85°C
 Housing: Aluminium
 Sealing: PUR
 Ingress protection: IP65
 Switching precision: < 1,5°
 System connection: Cable gland M20x1,5
 Clamp. range 8...13 mm

OBJECT LIST

| Pos. | Pcs. | Description | Material |
|------|------|-----------------------------|-----------|
| 1 | 1 | Housing | Aluminium |
| 2 | 2 | Crouzet 83.161.301 | - |
| 3 | 1 | Switch cam system | POM |
| 4 | 1 | Circuit board | - |
| 5 | 1 | Axis proximity switch | POM |
| 6 | 1 | Vision beacon "OPEN+CLOSED" | - |
| 7 | 1 | Screw clamps, 6-pole | - |
| 8 | 1 | Cable gland M20x1,5 | PA |
| 9 | 1 | Bracket size 1 - 4 | A2 |

WIRING DIAGRAM

