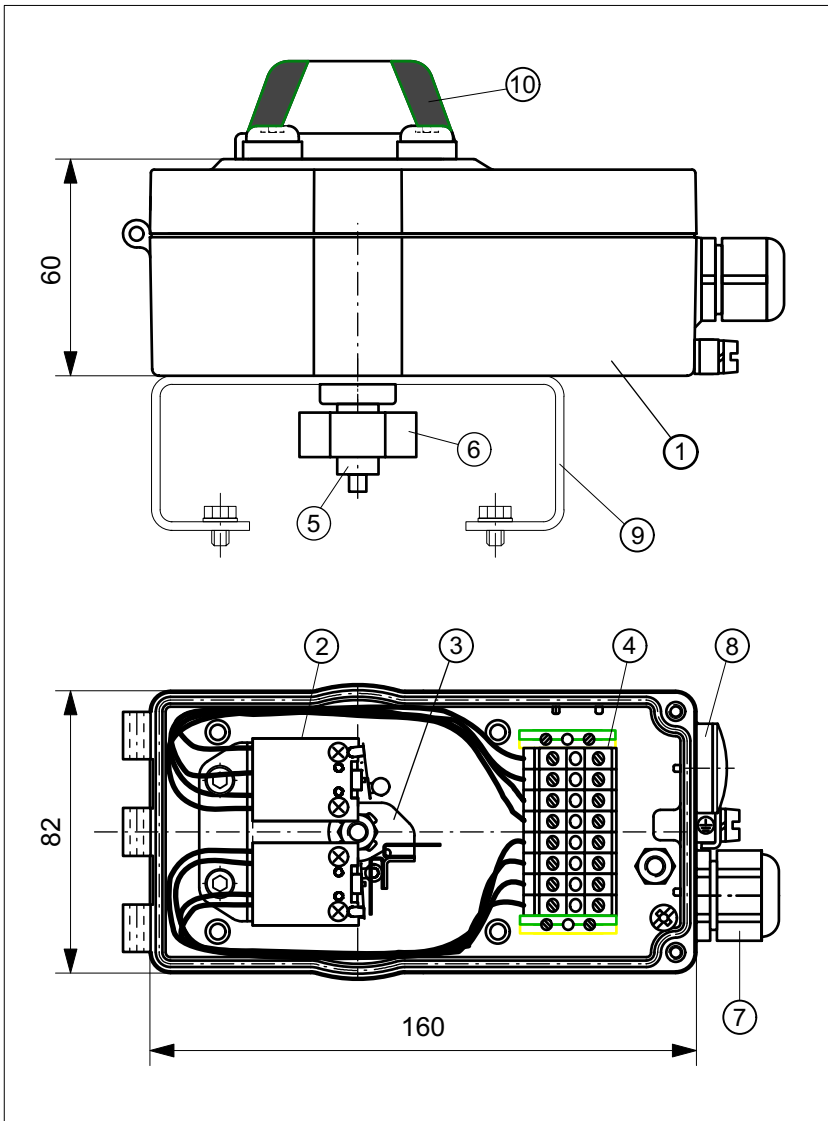




ACR1ASEAZ10

ALB-Module for hazardous area with two micro switches Crouzet 83.139.1 in Aluminium-Housing 160x82x60 mm, with high vision beacon "OPEN / CLOSED"



TECHNICAL DATA

Manufacturer: Crouzet
 Type: 83.139.1
 Switch. power: max. 4 A, 230 V AC
 Contacts: Silver-nickel
 Economic life-time: 5×10^6 switch. cycles
 Temperature range: -25 ... +60°C
 Housing: Aluminium
 Base silver-grey
 Cover red
 with high vision beacon
 Sealing: PUR
 Ingress protection: IP67 (IP68)
 Switch. precision: <math>< 1.5^\circ</math>
 System connection: Cable gland M20x1,5
 Clamp. range 5,5-13 mm



II2G Ex ed IIC T6 Gb
II2D Ex tb IIIC T80°C Db

EC-Type Examination Certificate No.
 PTB 10 ATEX 1061 X

OBJECT LIST

Pos.	Pcs.	Description	Material
1	1	Housing	Aluminium
2	2	Micro switch Ex d IIC T6	-
3	1	Switch flag	Stainless steel
4	1	Terminal block, 10-pole	-
5	1	Axis	Stainless steel
6	1	Position indicator, yellow	PE
7	1	Cable gland M20x1,5	PA
8	1	Blind plug M20x1,5	PA
9	1	Bracket size 1 - 4	Stainless steel
10	1	Vision beacon "OPEN+CLOSED"	-

WIRING DIAGRAM

