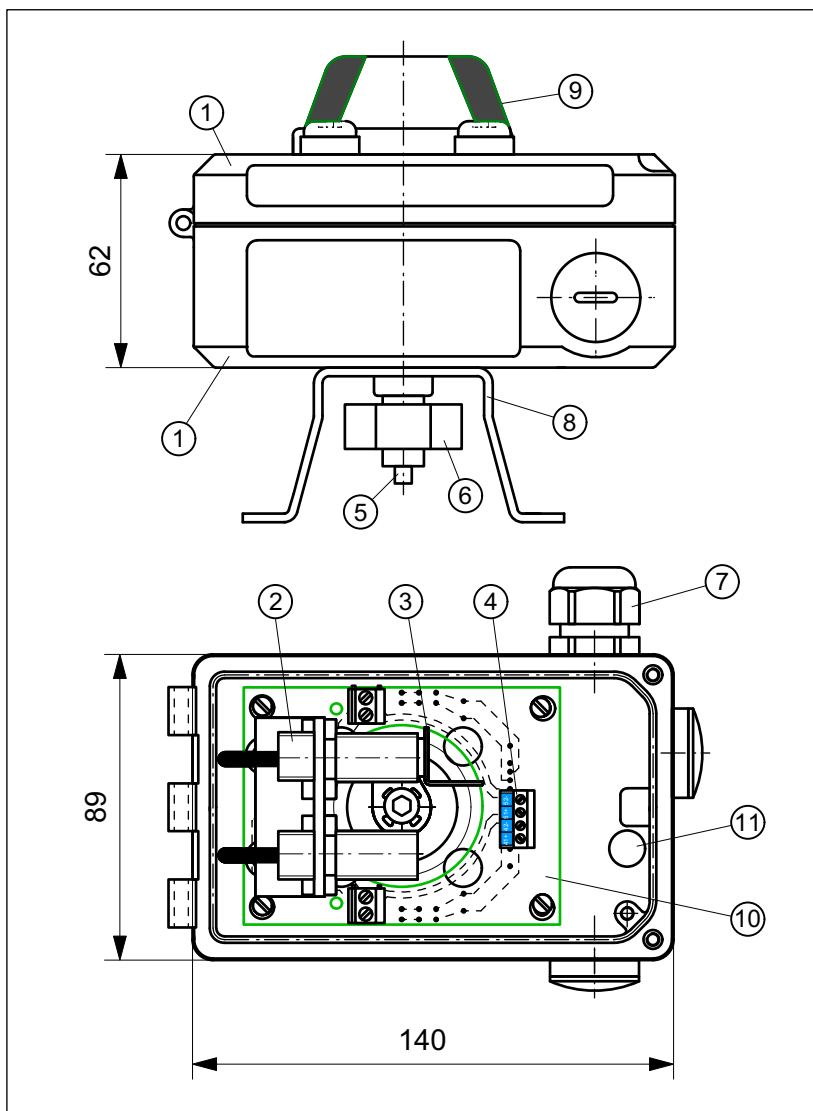




# COM-Module CPF211ASEAZ0

COM-Module with two proximity switches Pepperl+Fuchs NJ2-11-N-G, in Aluminium-Housing 140 x 89 x 62 mm, with high vision beacon "OPEN+CLOSED"



## TECHNICAL DATA

Manufacturer: Pepperl+Fuchs  
 Type: NJ2-11-N-G  
 inductive, NAMUR NC  
 Operating distance: 2 mm  
 Nominal voltage: 8,2 V DC  
 Current consumpt.: >= 3 mA, inactive  
 <= 1 mA, active  
 Switch. frequency: 0 ... 3000 Hz  
 Temperature: -25 ... +85 °C  
 Housing: Aluminium  
 with high vision beacon  
 Sealing: PUR  
 Ingress protection: IP68 (Sensor)  
 IP65 (Housing)  
 Switch. precision: <1.5°  
 System connection: Cable gland M20x1,5  
 Clamp. range 8...13 mm



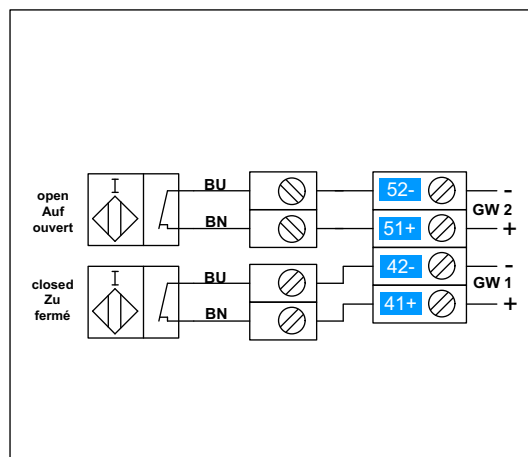
II 2G Ex ia IIC T6 Gb

EG type-examination certificate No.  
PTB 00 ATEX 2048 X

## OBJECT LIST

Pos.	Pcs.	Description	Material
1	1	Housing	Aluminium
2	2	P+F NJ2-11-N-G	-
3	1	Switch flag	A2
4	1	Terminal block, 4-pole	-
5	1	Axis	A2
6	1	Position indicator, yellow	PE
7	1	Cable gland M20x1,5	PA
8	1	Bracket size 1 - 4	Stainless steel
9	1	High vision beacon	-
10	1	Circuit board	-
11	1	Membrane	-

## WIRING DIAGRAM



created: 28.11.11 / SH  
 checked: 28.11.11 / WD  
 status: 29.10.15

Im Katzentach 16-18  
 D-76275 Ettlingen

Telefon: 07243-59 31-0  
 Telefax: 07243-59 31-31

e-Mail: info@rotech.de  
 Internet: www.rotech.de

**ROTECH**  
 SYSTEMKOMPONENTEN